

Soft Starters SAS 3 ... 11 1.01

Features:

- ☑ single-phase controlled soft starter
- ☑ all devices for pole-changing motors
- ☑ dual-voltage, for 400V and 230V networks
- ☑ terminal arrangement suitable for switchgear connection
- ☑ for snap-mounting on 35mm standard rail
- ☑ integrated bypass relay
- ☑ no mains neutral conductor (N) required
- ☑ special voltages up to 640V
- ☑ also for single-phase applications
- ☑ degree of protection IP 20



Soft Starters
SAS 3 ... 11
CE

Function:

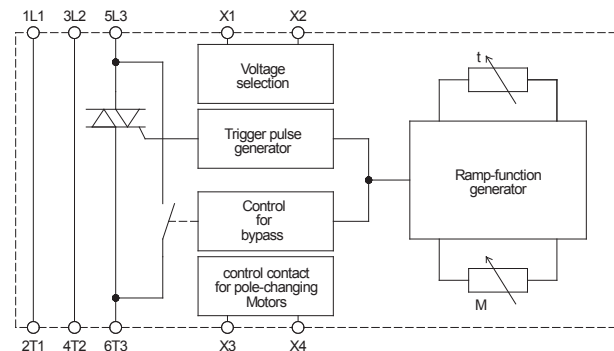
- ☑ soft start
- ☑ 2 separately adjustable parameters
starting torque, starting time
- ☑ control contact for pole-changing motors

Typical Applications:

- packaging machinery
- sliding doors
- belt drives
- conveying machinery
- door drives of passenger and goods lifts
- limitation of starting current for transformers

Upon request:

- ☑ potential-free input
control voltage 10 ... 30VDC
- ☑ SAS 3 up to SAS 11:
suitable standard up to 480V
special voltages 500V up to 640V
(all types in 100mm-housing)



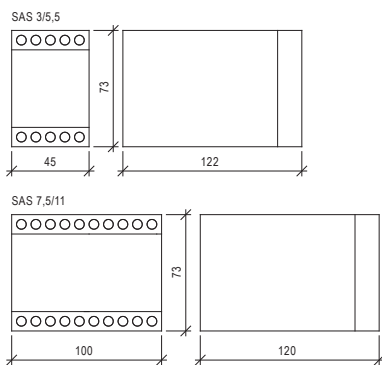
| | | | | |
|--|--------------------|-------------|-------------|-------------|
| Typical designation | SAS 3 | SAS 5,5 | SAS 7,5 | SAS 11 |
| motor rating at 230V | 1,5kW | 3kW | 4kW | 5,5kW |
| motor rating at 400V | 3kW | 5,5kW | 7,5kW | 11kW |
| mains / motor voltage X1-X2 jumpered according to DIN EN 50160 (IEC 38) | 160 ... 240V ±10 % | | | |
| mains / motor voltage X1-X2 not jumpered according to DIN EN 50160 (IEC 38) | 380 ... 480V ±10 % | | | |
| order number | 20700.40003 | 20700.40005 | 20700.40007 | 20700.40011 |

| Technical data | SAS 3 | SAS 5,5 | SAS 7,5 | SAS 11 |
|---|-------------------------------|---------|---------|--------|
| mains / motor voltage X1-X2 jumpered according to DIN EN 50160 (IEC 38) | 160 ... 240V ± 10% | | | |
| mains / motor voltage X1-X2 not jumpered according to DIN EN 50160 (IEC 38) | 380 ... 480V ± 10% | | | |
| rated device current | 6,5A | 12A | 15A | 25A |
| mains frequency | 50/60Hz | | | |
| rated power at 230V | 1,5kW | 3kW | 4kW | 5,5kW |
| rated power at 400V | 3kW | 5,5kW | 7,5kW | 11kW |
| min. motor current | 10% of device rating | | | |
| starting torque | 0 ... 50% | | | |
| starting time | 0,5 ... 5s | | | |
| restart time | 200ms | | | |
| max. switching cycle at 3xle and 5s t _{an} | 240/h | 200/h | 120/h | 70/h |
| max. cross-sectional area | 2,5mm ² | | | |
| ambient / storage temperature | 0°C ... 45°C / -25°C ... 75°C | | | |
| weight / kg | 0,3 | | 0,5 | |

Note:

Please pay attention and consider for the operation of IE3 motors while dimensioning of softstarters and dc brakes the resulting higher starting and braking currents.

For the use of IE3 motors we highly recommend to dimension and design the needed softstarters and braking devices one size higher.

Dimensions:

All dimensions indicated in mm

Connection Diagram: