

LV-AS User Manual



1 Caution Statements

Caution Statements cannot cover every potential cause of equipment damage but can highlight common causes of damage. It is the installer's responsibility to read and understand all instructions in this manual prior to installing, operating or maintaining the equipment, to follow good electrical practice including applying appropriate personal protective equipment and to seek advice before operating this equipment in a manner other than as described in this manual.

- Isolate the LV-AS completely from the power supply before attempting any work on the LV-AS or motor.
- Cables to the control inputs must be segregated from mains voltage and motor cabling.
- Some electronic contactor coils are not suitable for direct switching with PCB mount relays. Consult the contactor manufacturer/supplier to confirm suitability.
- Do not apply incorrect voltages to the control input terminals.
- Do not connect power factor correction capacitors to the output of LV-AS soft starters. If static power factor correction is employed, it must be connected to the supply side of the soft starter.



WARNING - ELECTRICAL SHOCK HAZARD

The LV-AS contains dangerous voltages when connected to mains voltage. Only a qualified electrician should carry out the electrical installation. Improper installation of the motor or the LV-AS may cause equipment failure, serious injury or death. Follow this manual and local electrical safety codes.



GROUNDING AND BRANCH CIRCUIT PROTECTION

It is the responsibility of the user or person installing the LV-AS to provide proper grounding and branch circuit protection according to local electrical safety codes.



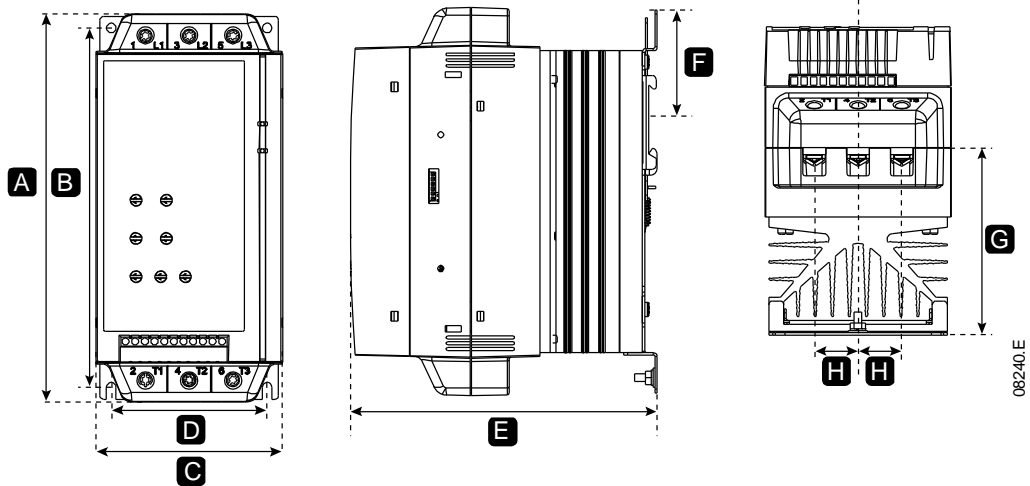
SHORT CIRCUIT

The LV-AS is not short circuit proof. After severe overload or short circuit, the operation of the LV-AS should be fully tested by an authorised service agent.

The examples and diagrams in this manual are included solely for illustrative purposes. The information contained in this manual is subject to change at any time and without prior notice. In no event will responsibility or liability be accepted for direct, indirect or consequential damages resulting from the use or application of this equipment.

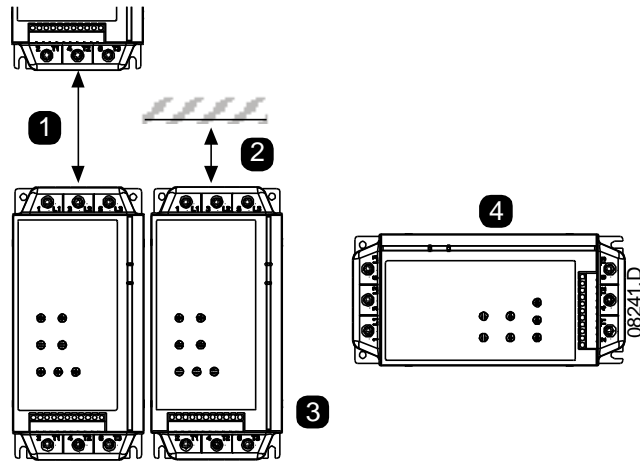
2 Mechanical Installation

2.1 Dimensions and Weights



Model	Height mm (inch)		Width mm (inch)		Depth mm (inch)	mm (inch)	mm (inch)	mm (inch)	Weight kg (lb)
	A	B	C	D	E	F	G	H	
LV-AS-018B LV-AS-034B LV-AS-042B LV-AS-048B LV-AS-060B	201 (7.91)	188 (7.40)	98 (3.85)	82 (3.22)	165 (6.49)	55 (2.16)	90.5 (3.6)	23 (0.9)	2.2 (4.85)
LV-AS-075B LV-AS-085B LV-AS-100B	215 (8.46)	196 (7.71)	145 (4.88)	124 (7.59)	193 (7.59)	-	110.5 (4.4)	37 (1.5)	4.0 (8.81)
LV-AS-140B LV-AS-170B LV-AS-200B	240 (9.44)	216 (8.50)	200 (7.87)	160 (6.29)	214 (8.42)	-	114.5 (4.5)	51 (2.0)	6.5 (14.33)

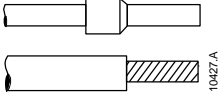
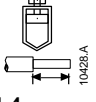
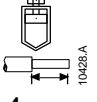
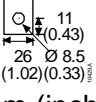
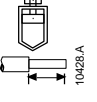

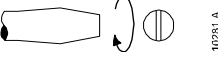
2.2 Physical Installation



1	LV-AS-018B ~ LV-AS-100B: Allow 100 mm (3.9 inch) between soft starters. LV-AS-140B ~ LV-AS-200B: Allow 200 mm (7.9 inch) between soft starters.
2	LV-AS-018B ~ LV-AS-100B: Allow 50 mm (2.0 inch) between the soft starter and solid surfaces. LV-AS-140B ~ LV-AS-200B: Allow 200 mm (7.9 inch) between the soft starter and solid surfaces.
3	Soft starters may be mounted side by side with no clearance (that is, if mounted without communications modules).
4	The soft starter may be mounted on its side. Derate the soft starter's rated current by 15%.

3 Electrical Installation

3.1 Power Terminations

	L1/1, L2/3, L3/5, T1/2, T2/4, T3/6 mm ² (AWG)			A1, A2, A3, 01, 02, B4, B5, 13, 14, 23, 24 mm ² (AWG)				
	018 - 060		075 - 100		140 - 200	018 - 200		
	10 - 35 (8 - 2)	 14 mm (0.55 inch)	25 - 50 (4 - 1/10)	 14 mm (0.55 inch)	n/a	 mm (inch)	0.14 - 1.5 (26 - 16)	 6 mm (0.24 inch)
	Torx (T20) 3 Nm 2.2 ft-lb		Torx (T20) 4 Nm 2.9 ft-lb		n/a		n/a	
	7 mm 3 Nm 2.2 ft-lb		7 mm 4 Nm 2.9 ft-lb		n/a		3.5 mm 0.5 Nm max 4.4 in-lb max	

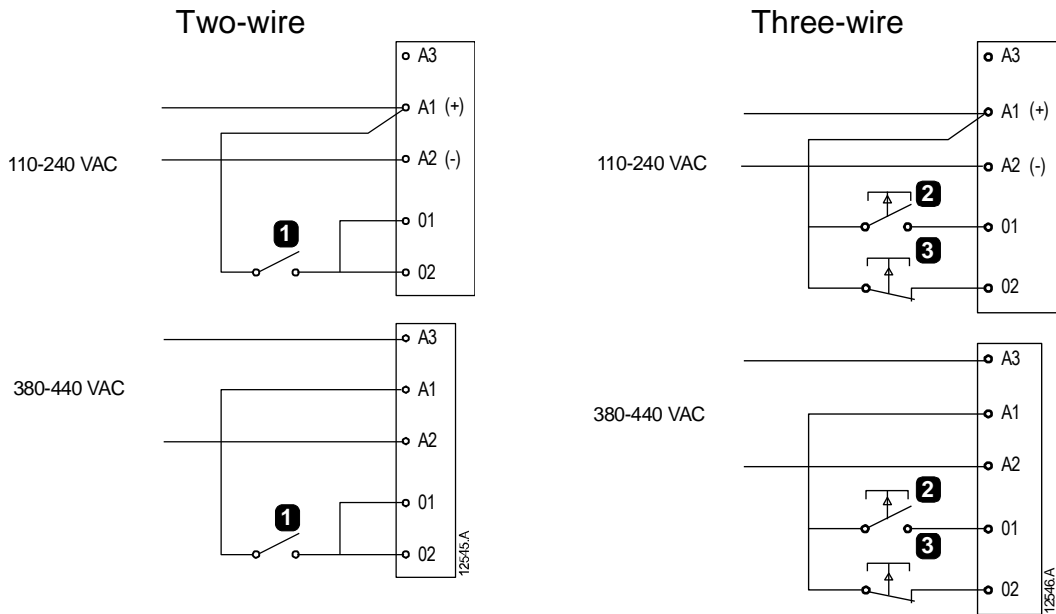
3.2 Control Circuits



WARNING

Always apply control voltage before (or with) mains voltage.

Control Circuits



1	Start/stop. To reset a trip, open then close 02.
2	Start.
3	Stop. To reset a trip, open then close 02.

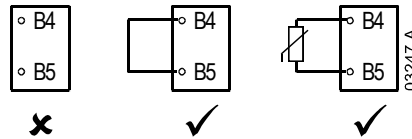


WARNING

Isolate the LV-AS completely from the power supply before attempting any work on the LV-AS or motor. Control terminals may be at phase voltage potential.

3.3 Motor Thermistor

Motor thermistors can be connected directly to the LV-AS terminals B4, B5. If motor thermistors are not used, there must be a link between B4, B5 (the LV-AS is supplied with a link fitted).



3.4 Outputs

Main Contactor Output

The Main Contactor output (terminals 13, 14) closes as soon as the soft starter receives a start command and remains closed while the soft starter is controlling the motor (until the motor starts a coast to stop, or until the end of a soft stop). The Main Contactor output will also open if the soft starter trips.

The Main Contactor output can be used to directly control a main contactor coil.

Programmable Output

The programmable output relay (terminals 23, 24) can be used to signal either trip or run status. This relay is normally open.

Trip:

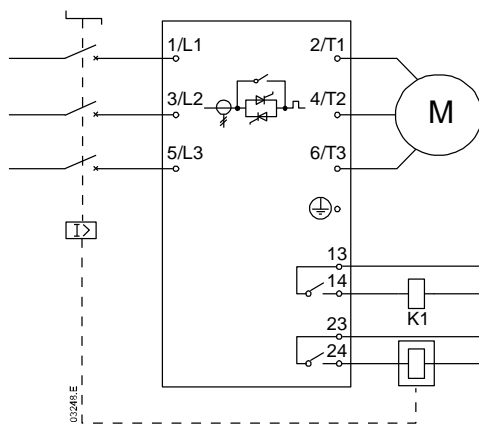
The relay closes when the LV-AS trips. The relay can be used to operate the shunt-trip mechanism of an upstream circuit breaker (in order to isolate the motor branch circuit), or to signal the trip to an automation system or externally. The relay will open when the trip is reset.

Run:

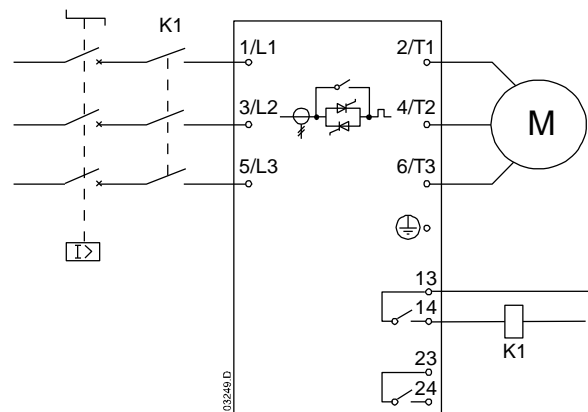
The relay operates when the soft start is complete, the bypass relays are closed and full voltage is being applied to the motor. The relay can be used to operate a contactor for power factor correction capacitors, or to signal soft starter run status to an automation system.

3.5 Electrical Schematics

Soft starter installed with a system protection circuit breaker complete with a shunt trip device

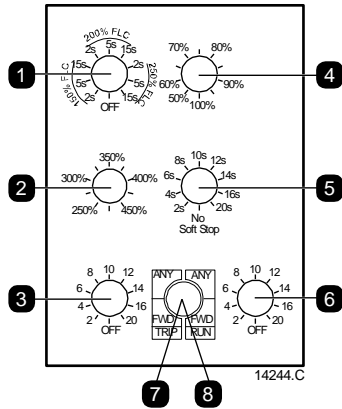


Soft starter installed with a system protection circuit breaker and main contactor



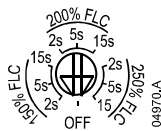
M	Motor (three phase)
K1	Main contactor
13, 14	Main contactor output
23, 24	Programmable output (set to Trip)

4 Adjustments

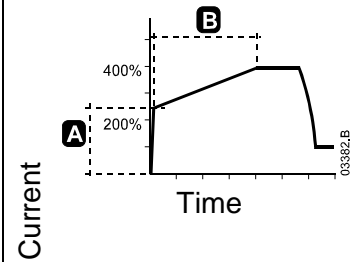


1	Current Ramp
2	Current Limit
3	Motor Trip Class
4	Motor FLC
5	Soft Stop Time
6	Excess Start Time
7	Auxiliary Relay Function
8	Phase Sequence Protection

1 Current Ramp



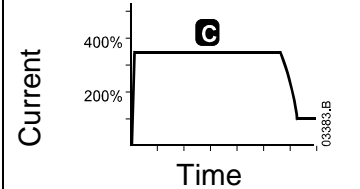
Select the initial start current (A) and ramp time (B). Current ramp starting extends the time soft starter takes to reach the current limit and is suitable for generator set supplies, loads requiring an extended start time or applications with extreme load variation between starts. The ramp time does not control the time the motor will take to reach full speed.



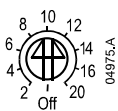
2 Current Limit



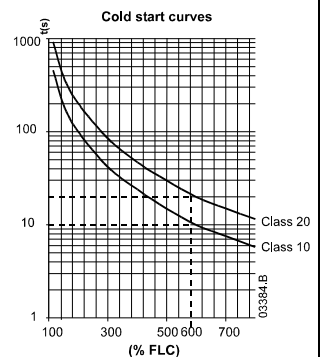
Select the current limit (C). The current limit is the maximum level of current the soft starter will deliver to the motor during the soft start.



3 Motor Trip Class



Select the trip class for motor overload protection. The trip class reflects the maximum time (in seconds) that the motor can run at locked rotor current. The Motor Trip Class setting assumes a locked rotor current of 600%.

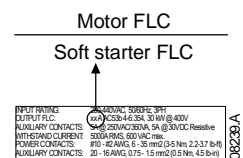


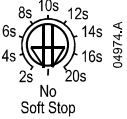
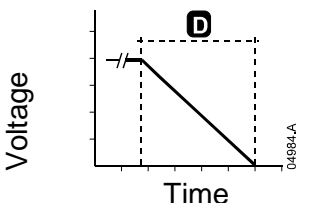

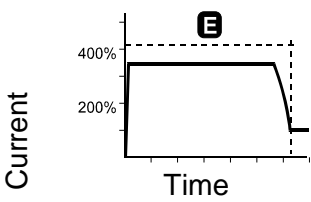
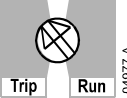
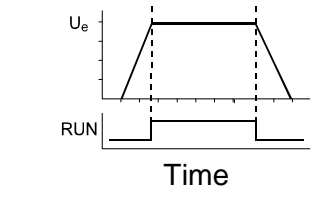
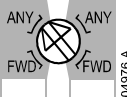
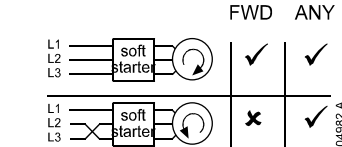
Setting the motor trip class to "Off" disables motor overload protection.

4 Motor FLC



Configure the soft starter to match the motor's full load current (FLC). Configure according to the motor's nameplate current. Divide the motor's FLC by the soft starter's maximum current rating (on the soft starter's nameplate label).



<p>5 Soft Stop Time</p>	 <p>Select the soft stop ramp time (D). Soft stop extends the time soft starter takes to reduce voltage to zero. The ramp time does not control the time the motor will take to stop completely.</p>	
<p>6 Excess Start Time</p>	 <p>Configure the soft starter's excess start time protection. Select a time slightly longer than the motor requires for a normal healthy start. The soft starter will trip if the start does not complete within the selected time (E).</p>	
<p>7 Auxiliary Relay Function</p>	 <p>Select the function of the soft starter's programmable output (terminals 23, 24). When set to "Run", the relay will operate when the soft start is complete. When set to "Trip", the relay will operate when the soft starter trips.</p>	
<p>8 Phase Sequence Protection</p>	 <p>Configure the soft starter's phase sequence protection. Select the allowable phase sequences. A setting of "Fwd" allows forward sequence (positive rotation) only and a setting of "Any" defeats the protection.</p>	

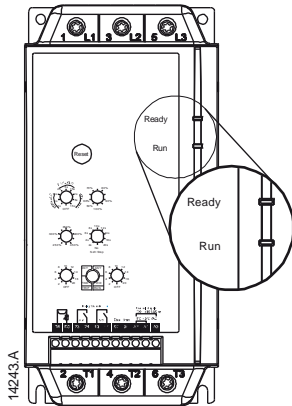


NOTE

Auxiliary relay function and phase sequence are configured using a shared switch. Set the auxiliary relay function as required, then set phase sequence protection.

5 Troubleshooting

5.1 LEDs



LED Status	Ready	Run
Off	No control power	Motor not running
On	Ready	Motor running at full speed
Flash	Starter tripped	Motor starting or stopping

5.2 Trip Codes

The Ready LED will flash a different number of times to indicate the cause of the trip.

Ready LED	Description
☀ x 1	Power Circuit: Check mains supply (L1, L2, L3), motor circuit (T1, T2, T3), soft starter SCRs and bypass relays.
☀ x 2	Excess Start Time: Check load, increase Current Limit or adjust Excess Start Time setting.
☀ x 3	Motor Overload: Allow motor to cool, reset soft starter and restart. The soft starter cannot be reset until the motor has cooled.
☀ x 4	Motor Thermistor: Check motor ventilation and thermistor connection B4, B5. Allow motor to cool.
☀ x 5	Current imbalance: Check for mains supply or line current imbalance (L1, L2, L3).
☀ x 6	Supply Frequency: Check mains voltage is available and supply frequency is in range.
☀ x 7	Phase sequence: Check for correct phase sequence.
☀ x 8	Network Communication Failure (between module and network): Check network connections, settings and configuration.
☀ x 9	Starter Communication Failure (between starter and module): Remove and refit accessory module.
☀ x 10	Bypass Overload: Starter rating may be too low for the application.

5.3 Protections

The LV-AS includes the following types of protection for the motor and starter:

Excess Start Time Protection

The LV-AS will trip on excess start time if the motor does not successfully start within the time selected in the Excess Start Time setting. This may indicate that the load has stalled.

If the soft starter frequently trips on excess start time:

- check that the Current Limit setting is high enough for the application
- check that the Excess Start Time setting is long enough for the application
- check that the load has not stalled or increased since the soft starter was installed

Motor Overload Protection

The LV-AS will trip on motor overload if it calculates that the motor has been running above its operating range for longer than the time selected in the Motor Trip Class setting. Motor Trip Class should be set to match the motor's locked rotor time. If this information is not available from the motor datasheet, use the default setting (Motor Trip Class = 10). Using a higher setting can damage the motor.



NOTE

Motor overload protection does not protect the soft starter, and does not protect the motor from short circuit.

Current Imbalance Protection

The LV-AS will trip on current imbalance if the highest and lowest currents on the three phases vary by an average of 30% for more than 3 seconds. Current imbalance protection is not adjustable, and is only active when the average motor current is 50% or more of the programmed motor FLC.

If the soft starter frequently trips on current imbalance:

- check that there is no imbalance on the mains voltage (on the input side of the soft starter)
- insulation test the motor
- move all input cables over one position (move L1 cable to L2, move L2 cable to L3, move L3 cable to L1) to rule out a cabling fault

Supply Frequency Protection

The soft starter will trip on supply frequency if the frequency rises above 72 Hz or falls below 40 Hz for more than five seconds while the soft starter is running. These trip points are not adjustable.

In pre-start, starting and stopping modes the high and low frequency limits both apply with no time delay.

A supply frequency trip will also occur if:

- all three input phases are lost while the soft starter is running
- all three input phases fall below 120 VAC at start or while the soft starter is running
- the line contactor opens while running

Bypass Overload Protection

Bypass overload protection protects the soft starter from severe operating overloads while running. The protection is not adjustable and has two components:

- The soft starter will trip if it detects overcurrent at 600% of the programmed motor full load current.
- The soft starter models the temperature of the internal bypass relays and will trip if the temperature exceeds the safe operating level.

If the trip occurs frequently, this indicates that the soft starter has not been selected correctly for the application.

5.4 Reset

Trips can be cleared by pressing the Reset button on the soft starter, sending a Reset command from the serial communications network, or by switching the control inputs.

To clear a trip via the control inputs, the soft starter requires a closed to open transition on the stop input (O2).

- In three-wire control, use the external stop button to momentarily open the stop input (open A1-O2).
- In two-wire control, if the soft starter tripped with a start signal present, remove the start signal (open A1 to O1, O2).
- In two wire control, if the LV-AS tripped with no start signal present (eg LV-AS motor thermistor trip), apply then remove the start signal (close then reopen A1 to O1, O2).

The Reset button is located on the front of the unit, above the adjustment switches.

The soft starter will trip again immediately if the cause of the trip still exists.

6 Accessories

6.1 Finger Guard Kit

Finger guards may be specified for personnel safety. Finger guards fit over the soft starter terminals to prevent accidental contact with live terminals. Finger guards provide IP20 protection when used with cable of diameter 22 mm or greater.

6.2 Remote Operator

The Remote Operator can control and monitor the soft starter's performance. Functionality includes:

- Operational control (Start, Stop, Reset, Quick Stop)
- Starter status monitoring (Ready, Starting, Running, Stopping, Tripped)
- Performance monitoring (motor current, motor temperature)
- Trip code display
- 4-20 mA analog output (Motor Current)

6.3 Communication Modules

LV-AS soft starters support network communication via easy-to-install communications modules. Each soft starter can support one communications module at a time.

Available protocols:

Ethernet (Profinet, Modbus TCP, Ethernet/IP), Profibus, DeviceNet, Modbus RTU, and USB.



NOTE

Ethernet communication modules are not suitable for use with LV-AS starters using 380/440 VAC control voltage.

6.4 PC Software

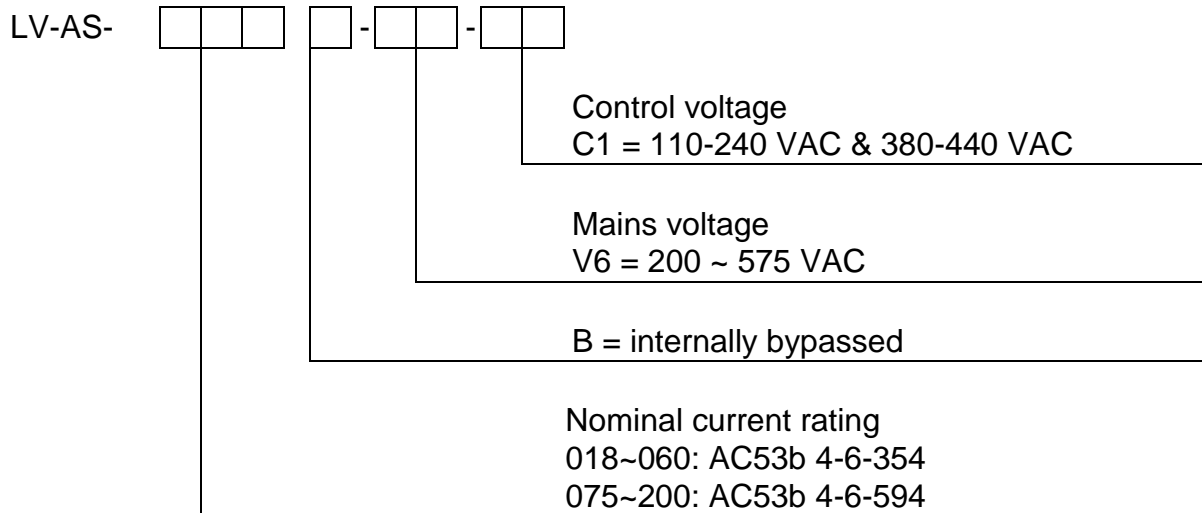
SSUK WinMaster can be used with Softstart UK soft starters to provide the following functionality for networks of up to 99 soft starters:

- Operational control (Start, Stop, Reset, Quick Stop)
- Starter status monitoring (Ready, Starting, Running, Stopping, Tripped)
- Performance monitoring (motor current, motor temperature)

To use SSUK WinMaster with the LV-AS, the soft starter must be fitted with a USB Module, Modbus Module or a Remote Operator.

7 Specifications

7.1 Model Code



7.2 Current Ratings

	AC53b 4-6:354 < 1000 metres		AC53b 4-20:340 < 1000 metres	
	40 °C	50 °C	40 °C	50 °C
LV-AS-018B	18 A	17 A	17 A	15 A
LV-AS-034B	34 A	32 A	30 A	28 A
LV-AS-042B	42 A	40 A	36 A	33 A
LV-AS-048B	48 A	44 A	40 A	36 A
LV-AS-060B	60 A	55 A	49 A	45 A
	AC53b 4-6:594 < 1000 metres		AC53b 4-20 580 < 1000 metres	
	40 °C	50 °C	40 °C	50 °C
LV-AS-075B	75 A	68 A	65 A	59 A
LV-AS-085B	85 A	78 A	73 A	67 A
LV-AS-100B	100 A	100 A	96 A	87 A
LV-AS-140B	140 A	133 A	120 A	110 A
LV-AS-170B	170 A	157 A	142 A	130 A
LV-AS-200B	200 A	186 A	165 A	152 A

7.3 Semiconductor Fuses

Semiconductor fuses can be used with LV-AS soft starters to reduce the potential for damage to SCRs from transient overload currents and for Type 2 coordination. LV-AS soft starters have been tested to achieve Type 2 coordination with semiconductor fuses. Suitable Bussmann and Ferraz/Mersen semiconductor fuses are detailed below.

Model	SCR I^2t (A ² s)	Ferraz/Mersen Fuse European/IEC Style (North American Style)	Bussmann Fuse Square Body (170M)	Bussmann Fuse British Style (BS88)
LV-AS-018B	1150	6.6URD30xxxA0063 (A070URD30xxx0063)	170M-1314	63 FE
LV-AS-034B	8000	6.6URD30xxxA0125 (A070URD30xxx0125)	170M-1317	160 FEE
LV-AS-042B	10500	6.6URD30xxxA0160 (A070URD30xxx0160)	170M-1318	160 FEE
LV-AS-048B	15000	6.6URD30xxxA0160 (A070URD30xxx0160)	170M-1318	180 FM
LV-AS-060B	18000	6.6URD30xxxA0160 (A070URD30xxx0160)	170M-1319	180 FM
LV-AS-075B	51200	6.6URD30xxxA0250 (A070URD30xxx0250)	170M-1321	250 FM
LV-AS-085B	80000	6.6URD30xxxA0315 (A070URD30xxx0315)	170M-1321	250 FM
LV-AS-100B	97000	6.6URD30xxxA0315 (A070URD30xxx0315)	170M-1321	250 FM
LV-AS-140B	168000	6.6URD31xxxA0450 (A070URD31xxx0450)	170M-1322	500 FMM
LV-AS-170B	245000	6.6URD31xxxA0450 (A070URD31xxx0450)	170M-3022	500 FMM
LV-AS-200B	320000	6.6URD31xxxA0450 (A070URD31xxx0450)	170M-3022	500 FMM

xxx = Blade Type. Contact Ferraz/Mersen for options.

7.4 General Technical Data

Mains Supply

Mains voltage (L1, L2, L3)	3 x 200 VAC ~ 575 VAC (+ 10% / - 15%)
Mains frequency (at start)	45 Hz to 66 Hz
Rated insulation voltage	600 VAC
Form designation	Bypassed semiconductor motor starter form 1

Control supply

Control voltage	110-240 VAC (+ 10% / - 15%) or 380-440 VAC (+ 10% / - 15%)
Current consumption (during run)	< 100 mA
Current consumption (inrush)	10 A

Inputs

Start (terminal 01)	Normally open 150 k Ω @ 300 VAC
Stop (terminal 02)	Normally closed 150 k Ω @ 300 VAC

Outputs

Main contactor relay (terminals 13, 14)	Normally open 6 A, 30 VDC / 6 A, 250 VAC resistive
Programmable relay (terminals 23, 24)	Normally open 6 A, 30 VDC / 6 A, 250 VAC resistive

Environmental

Degree of Protection LV-AS-018B to LV-AS-100B	IP20
Degree of Protection LV-AS-140B to LV-AS-200B	IP00
Operating temperature	- 10 °C to + 60 °C
Storage temperature	-25 °C to + 60 °C (to +70 °C for less than 24 hours)
Humidity	5% to 95% Relative Humidity
Pollution degree	Pollution Degree 3
Vibration	IEC 60068 Test Fc Sinusoidal 4 Hz to 13.2 Hz: \pm 1 mm displacement 13.2 Hz to 200 Hz: \pm 0.7 g

EMC Emission

Equipment class (EMC)	Class B
Conducted radio frequency emission	0.15 MHz to 0.5 MHz: < 56-46 dB (μ V) 0.5 MHz to 5 MHz: < 46 dB (μ V) 5 MHz to 30 MHz: < 50 dB (μ V)
Radiated radio frequency emission	30 MHz to 230 MHz: < 30 dB (μ V/m) 230 MHz to 1000 MHz: < 37 dB (μ V/m)

This product has been designed as Class A equipment. Use of this product in domestic environments may cause radio interference, in which case the user may be required to employ additional mitigation methods.

EMC Immunity

Electrostatic discharge	4 kV contact discharge, 8 kV air discharge
Radio frequency electromagnetic field	0.15 MHz to 1000 MHz: 140 dB (μ V)
Rated impulse withstand voltage (Fast transients 5/50 ns)	2 kV line to earth, 1 kV line to line
Voltage dip and short time interruption	100 ms (at 40% nominal voltage)
Harmonics and distortion	IEC61000-2-4 (Class 3), EN/IEC61800-3

Short Circuit

Rated short-circuit current LV-AS-018 to LV-AS-048	5 kA ¹
Rated short-circuit current LV-AS-060 to LV-AS-200	10 kA ¹

¹ These short circuit ratings are with fuses used as given in the table under Semiconductor Fuses on page 14.

Heat Dissipation

During Start	3 watts / ampere
During Run	10 watts typical

Standards Approvals

C✓	IEC 60947-4-2
CE	IEC 60947-4-2
RoHS	Compliant with EU Directive 2002/95/EC

Operational Life

LV-AS-018~100	1,000,000 operations
LV-AS-140~200	30,000 operations

