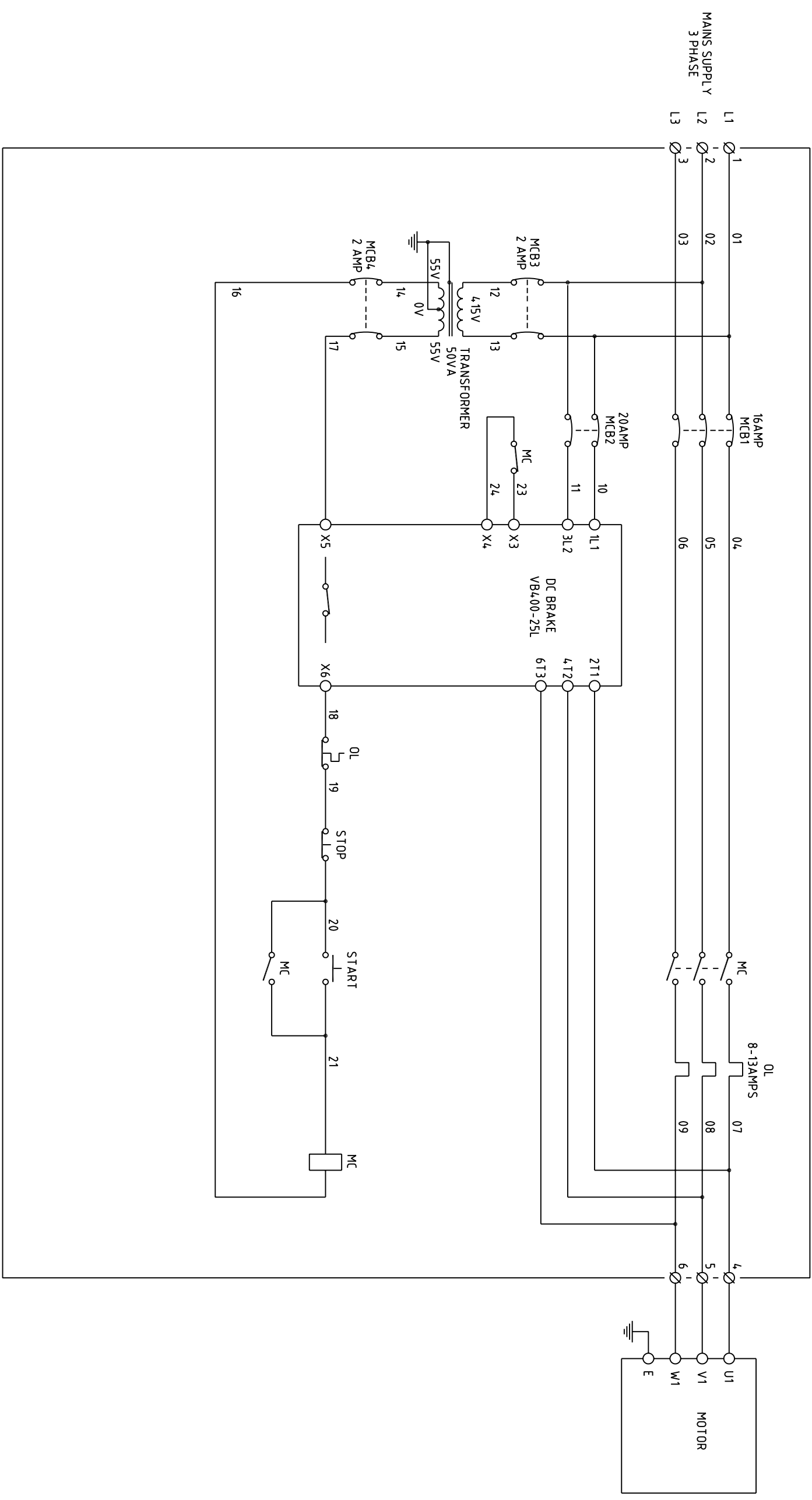


REF	DESCRIPTION
MC	MAIN CONTACTOR
MCB1-4	MINIATURE CIRCUIT BREAKER
OL	OVERLOAD
T	TRANSFORMER



ISSUE	DATE	REVISION	APP'D
03	04.02.16	REVISED	
02	09.10.12	AS BUILT	
01	26.09.12	FIRST ISSUE	

SOFTSTART UK

CLIENT

DRAWN	ML	TITLE
DATE	26.09.12	EASY BRAKE
SCALE	NTS	CIRCUIT SCHEMATIC
CHK'D		
APP'VD		

DRG.No EZBK-04.0-4.00
SHEET 03 REV 03